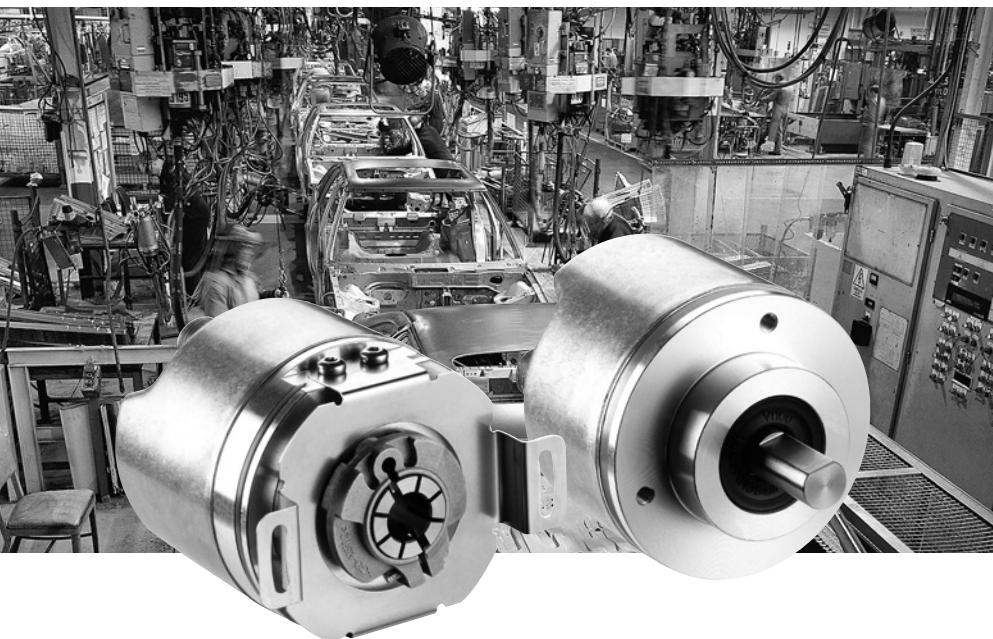


A3M60: Absolute Encoders Multiturn, PROFIBUS



This ensures a long lifetime and increased operational reliability. These highly integrated single- and multiturn technologies combined with embedded PROFIBUS connectivity make the A3M60 a space and cost efficient solution especially suitable for applications with limited installation space. In addition the powerful microcontroller technology allows fast position calculation at data rates up to 12 MBit and clock synchronization (PROFIBUS-DP V2) in the range of μs .

The versatility of the A3M60 permits a wide range of applications e.g. in:

- Palletizer
- Rack feeder
- Cranes, stacker cranes
- Wood processing machines
- Packaging machines

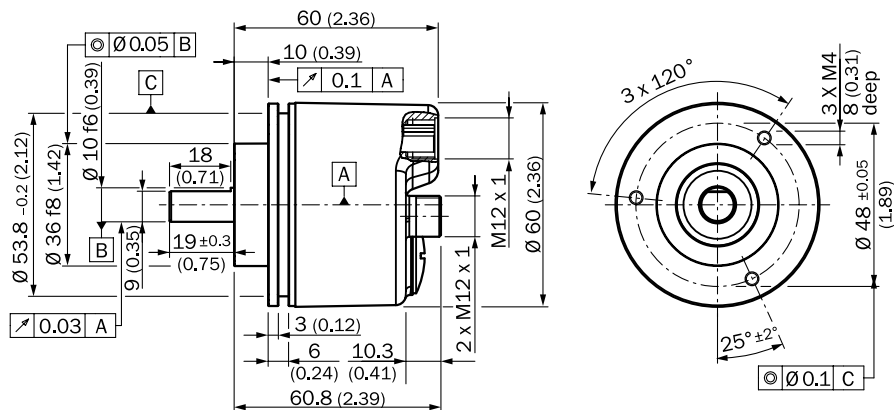
The A3M60 is a very robust Absolute Multiturn Encoder in the 60 mm design. The pure magnetic technology for both single- and multiturn positioning offers highest reliability even under harshest environmental conditions. The cutting edge singleturn sensor combines the robustness of a magnetic sensor with high resolutions only known from optical systems. With the innovative gearless multiturn technology the number of moving components is considerably reduced.



Resolution up to 31 bits
 Absolute Encoders Multiturn

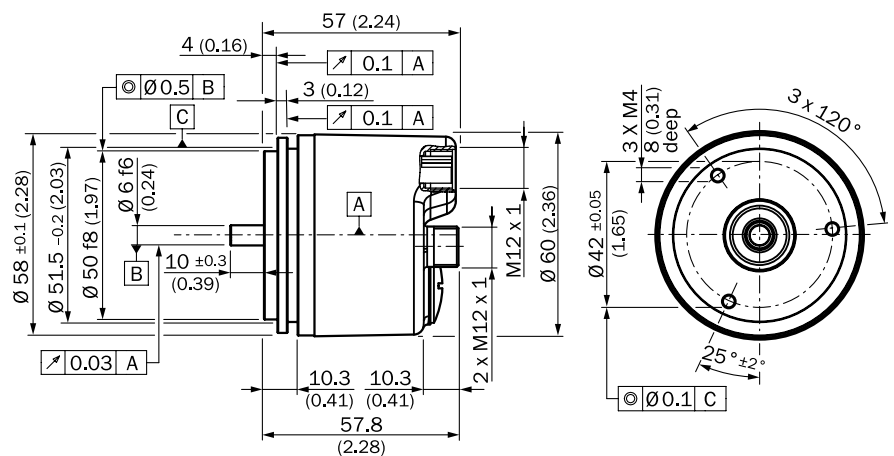
- PROFIBUS-DP V0, V1, V2 functionality
- Enclosure rating up to IP 67
- Simple and fast setup

Dimensional drawing, face mount flange



All dimensions in mm (inch)

Dimensional drawing, servo flange



All dimensions in mm (inch)



Product may differ from illustration



Ordering information, single devices

A3M60 Basic, PROFIBUS, M12, resolution 13 x 13

Model name	Part no.	Description
A3M60B-S4PB013X13	1038826	Face mount flange, solid shaft, 10 mm
A3M60B-S1PB013X13	1051018	Servo flange, solid shaft, 6 mm

A3M60 Advanced, PROFIBUS, M12, resolution 14 x 17

Model name	Part no.	Description
A3M60A-S4PB014X17	1053341	Face mount flange, solid shaft, 10 mm
A3M60A-S1PB014X17	1053342	Servo flange, solid shaft, 6 mm

Accessories

Connection systems (page 8)
Mounting systems (page 11)

Ordering information

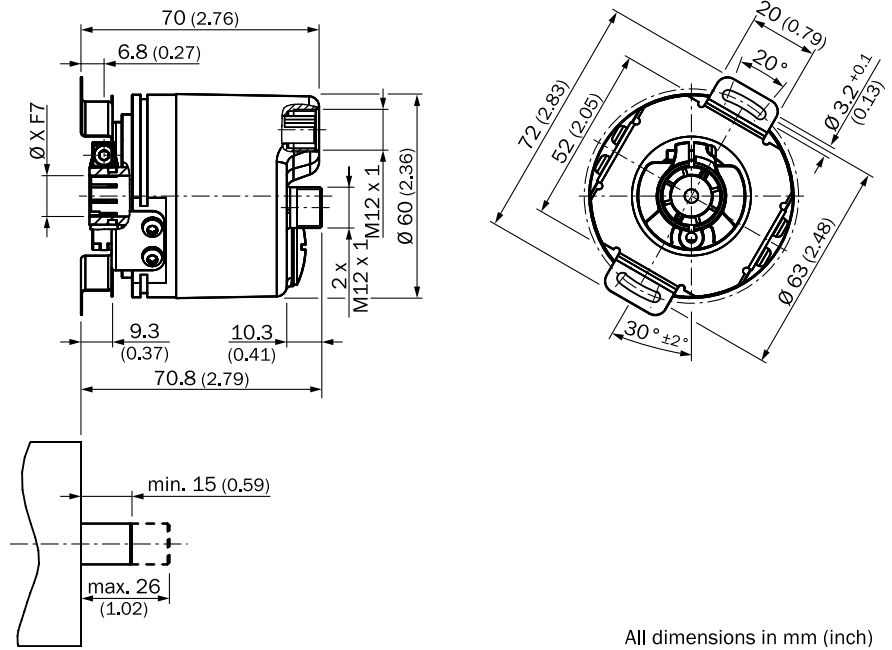
Sales Kits (page 7)

Technical data			A3M60		Solid shaft	
			Basic	Advanced		
Mechanical data						
Solid shaft face mount flange			10 x 19 mm			
Solid shaft servo flange			6 x 10 mm			
Mass			Approx. 0.280 kg			
Material	Shaft		Stainless steel			
	Flange		Aluminium			
	Housing		Aluminium			
Operating speed max.			6,000 min ⁻¹			
			9,000 min ⁻¹			
Resistance to shocks (according to EN 60068-2-27)			80 g/6 ms			
Resistance to vibration (according to EN 60068-2-6)			30 g/10 to 2,000 Hz			
Starting torque at 20 °C			1 Ncm			
Max. shaft loading	Radial		80 N			
	Axial		40 N			
Bearing lifetime			3 x 10 ⁹ revolutions			
Max. angular acceleration			5 x 10 ⁵ rad/s ²			
Electrical data						
Operating voltage range (U_s)			10 to 32 V with inverse-polarity protection			
Power consumption			Max. 1.5 W			
Resolution						
Max. number of steps/rev.			8,192			
			16,384			
Max. number of turns			8,192			
			131,072			
Error limits at room temperature			± 0.5°			
			± 0.35°			
Repeatability at room temperature			± 0.25°			
			± 0.15°			
EMC according to DIN EN 61000-6-2 and DIN EN 61000-6-3						
PROFIBUS protocol			DP V0			
			DP V1 + V2			
PROFIBUS Interface			RS485			
Transmission rate			Max. 12 MBaud			
Programmable parameter			Resolution, counting direction			
Environmental data						
Protection class according to IEC 60529						
		Housing	IP 67			
		Shaft	IP 65			
			IP 67			
Working temperature range			-10 to +70 °C			
			-30 to +80 °C			
Storage temperature range			-40 to +100 °C			
Self warming at max. operating speed	Face mount flange		30 k			
	Servo flange		15 k			
			25 k			
Permissible relative humidity (condensation not permitted)			95%			

 **Resolution up to 31 bits**
 Absolute Encoders Multiturn

- PROFIBUS-DP V0, V1, V2 functionality
- Enclosure rating up to IP 67
- Simple and fast setup

Dimensional drawing, blind hollow shaft



All dimensions in mm (inch)



Product may differ from illustration



Ordering information, single devices

A3M60 Basic, PROFIBUS, M12, resolution 13 x 13

Model name	Part no.	Description
A3M60B-BBPB013X13	1051016	Blind hollow shaft, Ø 8 mm
A3M60B-BCPB013X13	1053327	Blind hollow shaft, Ø 3/8"
A3M60B-BDPB013X13	1038824	Blind hollow shaft, Ø 10 mm
A3M60B-BEPB013X13	1038825	Blind hollow shaft, Ø 12 mm
A3M60B-BFPB013X13	1053328	Blind hollow shaft, Ø 1/2"
A3M60B-BGPB013X13	1051325	Blind hollow shaft, Ø 14mm
A3M60B-BHPB013X13	1051017	Blind hollow shaft, Ø 15 mm
A3M60B-BJPB013X13	1053329	Blind hollow shaft, Ø 5/8"

A3M60 Advanced, PROFIBUS, M12, resolution 14 x 17

Model name	Part no.	Description
A3M60A-BBPB014X17	1053330	Blind hollow shaft, Ø 8 mm
A3M60A-BCPB014X17	1053334	Blind hollow shaft, Ø 3/8"
A3M60A-BDPB014X17	1053331	Blind hollow shaft, Ø 10 mm
A3M60A-BEPB014X17	1053332	Blind hollow shaft, Ø 12 mm
A3M60A-BFPB014X17	1053335	Blind hollow shaft, Ø 1/2"
A3M60A-BGPB014X17	1053336	Blind hollow shaft, Ø 14mm
A3M60A-BHPB014X17	1053333	Blind hollow shaft, Ø 15 mm
A3M60A-BJPB014X17	1053337	Blind hollow shaft, Ø 5/8"

Accessories

- Connection systems (page 8)
- Mounting systems (page 11)

Ordering information

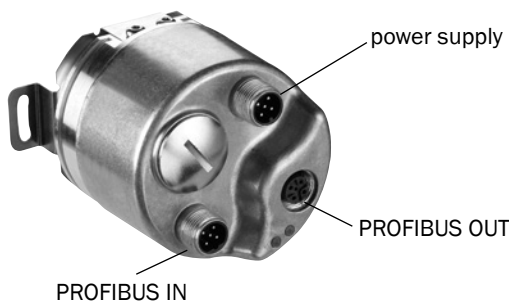
- Sales Kits (page 7)

Technical data			A3M60		Blind hollow shaft	
			Basic	Advanced		
Mechanical data						
Blind hollow shaft			8, 10, 12, 14, 15 mm and 3/8", 1/2", 5/8"			
Mass			Approx. 0.280 kg			
Material	Shaft		Stainless steel			
	Flange		Aluminium			
	Housing		Aluminium			
Operating speed max.			6,000 min ⁻¹			
			9,000 min ⁻¹			
Resistance to shocks (according to EN 60068-2-27)			80 g/6 ms			
Resistance to vibration (according to EN 60068-2-6)			30 g/10 to 2,000 Hz			
Starting torque at 20 °C			1 Ncm			
			2 Ncm			
Permissible movement of the drive element						
Radial	Static/dynamic		± 0.3 mm/± 0.1 mm			
	Axial		Static/dynamic		± 0.5 mm/± 0.2 mm	
Bearing lifetime			3 x 10 ⁹ revolutions			
Max. angular acceleration			5 x 10 ⁵ rad/s ²			
Electrical data						
Operating voltage range (U_s)			10 to 32 V with inverse-polarity protection			
Power consumption			Max. 1.5 W			
Resolution						
Max. number of steps/rev.			8,192			
			16,384			
Max. number of turns			8,192			
			131,072			
Error limits at room temperature			± 0.5°			
			± 0.35°			
Repeatability at room temperature			± 0.25°			
			± 0.15°			
EMC according to DIN EN 61000-6-2 and DIN EN 61000-6-3						
PROFIBUS protocol			DP V0			
			DP V1 + V2			
PROFIBUS Interface			RS485			
Transmission rate			Max. 12 MBaud			
Programmable parameter			Resolution, counting direction			
Environmental data						
Protection class according to IEC 60529						
		Housing	IP 67			
		Shaft	IP 65			
			IP 67			
Working temperature range			-10 to +70 °C			
			-30 to +80 °C			
Storage temperature range			-40 to +100 °C			
Self warming at max. operating speed			Face mount flange		30 k	
			Servo flange		15 k	
					25 k	
Permissible relative humidity (condensation not permitted)			95 %			

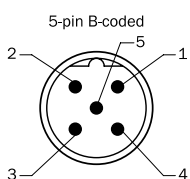
 **Resolution up to 31 bits**
 Absolute Encoders Multiturn

- PROFIBUS-DP V0, V1, V2 functionality
- Enclosure rating up to IP 67
- Simple and fast setup

Pin allocation, M12 connector



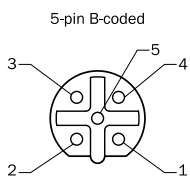
PROFIBUS IN



PIN	Explanation
1	Not connected
2	PROFIBUS Data A
3	Not connected
4	PROFIBUS Data B
5	Shield

Attention: connect shield with housing.
 Use of PIN 5 for shielding optional, but not recommended. Use shielded cable.

PROFIBUS OUT

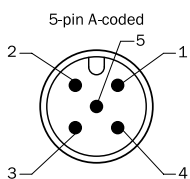


PIN	Explanation
1	+5 V (2P5) ¹⁾
2	PROFIBUS Data A
3	0 V (2M) ¹⁾
4	PROFIBUS Data B
5	Shield

¹⁾ For external bus termination

Attention: connect shield with housing.
 Use of PIN 5 for shielding optional, but not recommended. Use shielded cable.

Power supply



PIN	Explanation
1	Supply voltage
2	Do not connect
3	Ground (0 V)
4	Do not connect
5	Not connected



Product may differ from illustration



Accessories

- Connection systems (page 8)
- Mounting systems (page 11)

Ordering information

- Sales Kits (page 7)

Ordering information

Sales Kits

Sales Kit 01

A3M60 PROFIBUS, M12, resolution 13 x 13

+ Power supply: female connector M12, 4-pin, angled (page 8)

+ PROFIBUS IN: PROFIBUS female connector M12, 5-pin, angled, B-coding (page 9)



Model name	Part no.	Description
A3M60B-BBP Sales Kit 01	1052477	Blind hollow shaft, Ø 8 mm incl. connection systems
A3M60B-BDP Sales Kit 01	1052478	Blind hollow shaft, Ø 10 mm incl. connection systems
A3M60B-BEP Sales Kit 01	1052479	Blind hollow shaft, Ø 12 mm incl. connection systems
A3M60B-BGP Sales Kit 01	1053975	Blind hollow shaft, Ø 14 mm incl. connection systems
A3M60B-BHP Sales Kit 01	1052486	Blind hollow shaft, Ø 15 mm incl. connection systems
A3M60B-S4P Sales Kit 01	1052488	Face mount flange, solid shaft, 10 mm incl. connection systems
A3M60B-S1P Sales Kit 01	1052489	Servo flange, solid shaft, 6 mm incl. connection systems

Sales Kit 02

A3M60 PROFIBUS, M12, resolution 13 x 13+ Power supply: Female connector M12, 5-pin, angled, pre-wired with 5 m cable 3 x 0.34 mm², screened (page 8)+ PROFIBUS IN: PROFIBUS female connector M12, 5-pin, angled, pre-wired with 5 m bus cable 2-wire, 2 x 0.64 mm², screened, B-coding (page 9)

Model name	Part no.	Description
A3M60B-BBP Sales Kit 02	1052490	Blind hollow shaft, Ø 8 mm incl. connection systems
A3M60B-BDP Sales Kit 02	1052491	Blind hollow shaft, Ø 10 mm incl. connection systems
A3M60B-BEP Sales Kit 02	1052493	Blind hollow shaft, Ø 12 mm incl. connection systems
A3M60B-BGP Sales Kit 02	1053976	Blind hollow shaft, Ø 14 mm incl. connection systems
A3M60B-BHP Sales Kit 02	1052494	Blind hollow shaft, Ø 15 mm incl. connection systems
A3M60B-S4P Sales Kit 02	1052492	Face mount flange, solid shaft, 10 mm incl. connection systems
A3M60B-S1P Sales Kit 02	1052506	Servo flange, solid shaft, 6 mm incl. connection systems

Sales Kit 03

A3M60 PROFIBUS, M12, resolution 13 x 13

+ Power supply: Female connector M12, 4-pin, angled (page 8)

+ PROFIBUS IN: PROFIBUS female connector M12, 5-pin, angled, B-coding (page 9)

+ PROFIBUS OUT: PROFIBUS male connector M12, 5-pin, angled, B-coding (page 10)



Model name	Part no.	Description
A3M60B-BBP Sales Kit 03	1052507	Blind hollow shaft, Ø 8 mm incl. connection systems
A3M60B-BDP Sales Kit 03	1052508	Blind hollow shaft, Ø 10 mm incl. connection systems
A3M60B-BEP Sales Kit 03	1052509	Blind hollow shaft, Ø 12 mm incl. connection systems
A3M60B-BGP Sales Kit 03	1053977	Blind hollow shaft, Ø 14 mm incl. connection systems
A3M60B-BHP Sales Kit 03	1052510	Blind hollow shaft, Ø 15 mm incl. connection systems
A3M60B-S4P Sales Kit 03	1052513	Face mount flange, solid shaft, 10 mm incl. connection systems
A3M60B-S1P Sales Kit 03	1052514	Servo flange, solid shaft, 6 mm incl. connection systems

Sales Kit 04

A3M60 PROFIBUS, M12, resolution 13 x 13+ Power supply: Female connector M12, 5-pin, angled, pre-wired with 5 m cable 3 x 0.34 mm², screened (page 8)+ PROFIBUS IN: PROFIBUS female connector M12, 5-pin, angled, pre-wired with 5 m bus cable 2-wire, 2 x 0.64 mm², screened, B-coding (page 9)+ PROFIBUS OUT: PROFIBUS male connector M12, 5-pin, angled, pre-wired with 5 m bus cable 2-wire, 2 x 0.64 mm², screened, B-coding (page 10)

Model name	Part no.	Description
A3M60B-BBP Sales Kit 04	1052515	Blind hollow shaft, Ø 8 mm incl. connection systems
A3M60B-BDP Sales Kit 04	1052516	Blind hollow shaft, Ø 10 mm incl. connection systems
A3M60B-BEP Sales Kit 04	1052517	Blind hollow shaft, Ø 12 mm incl. connection systems
A3M60B-BGP Sales Kit 04	1053978	Blind hollow shaft, Ø 14 mm incl. connection systems
A3M60B-BHP Sales Kit 04	1052518	Blind hollow shaft, Ø 15 mm incl. connection systems
A3M60B-S4P Sales Kit 04	1052519	Face mount flange, solid shaft, 10 mm incl. connection systems
A3M60B-S1P Sales Kit 04	1052520	Servo flange, solid shaft, 6 mm incl. connection systems

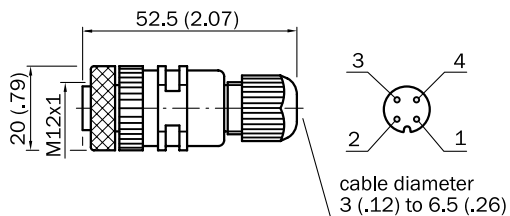
Connection systems

Dimensional drawings and ordering information

Power supply

Female connector M12, 4-pin, straight

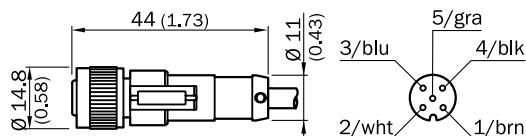
Model name	Part no.	Contacts
DOS-1204-G	6007302	4



All dimensions in mm (inch)

Female connector M12, 5-pin, straight, pre-wired with cable 5 x 0.34 mm², screened

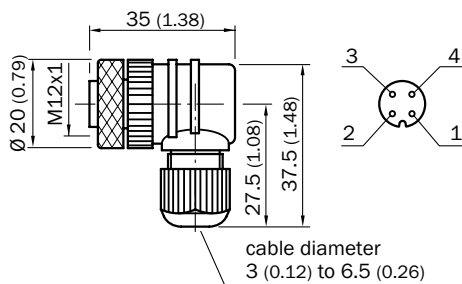
Model name	Part no.	Cable length
DOL-1205-G05MAC	6036384	5 m
DOL-1205-G10MAC	6036385	10 m
DOL-1205-G20MAC	6036386	20 m



All dimensions in mm (inch)

Female connector M12, 4-pin, angled

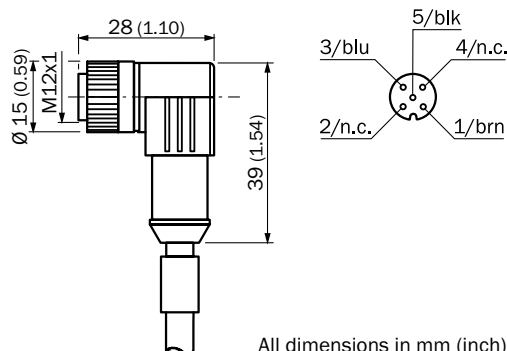
Model name	Part no.
DOS-1204-W	6007303



All dimensions in mm (inch)

Female connector M12, 5-pin, angled, pre-wired with cable 3 x 0.34 mm², screened

Model name	Part no.	Cable length
DOL-1202-W05MC	6042067	5 m
DOL-1202-W10MC	6042068	10 m



All dimensions in mm (inch)

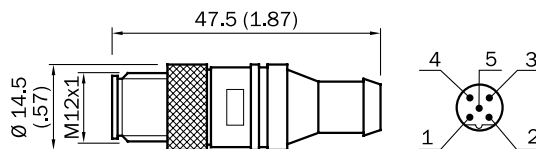
PROFIBUS

Bus cable 2-wire, per metre 2 x 0.22 mm², screened

Model name	Part no.	Cores
LTG-2102-MW	6021355	2

PROFIBUS terminating resistor

Model name	Part no.	Description
PRE-STE-END	6021156	Connector, 4 contacts

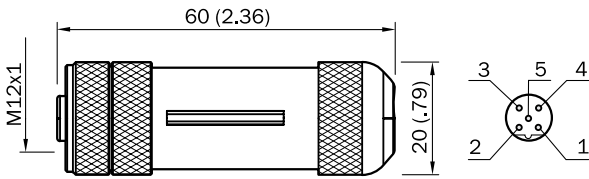


All dimensions in mm (inch)

PROFIBUS IN

PROFIBUS female connector M12, 5-pin, straight, screened, B-coding

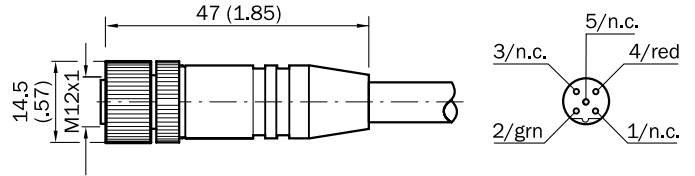
Model name	Part no.
DOS-1205-GQ	6021353



All dimensions in mm (inch)

PROFIBUS female connector M12, 5-pin, straight, pre-wired with bus cable 2-wire, 2 x 0.22 mm², screened, B-coding

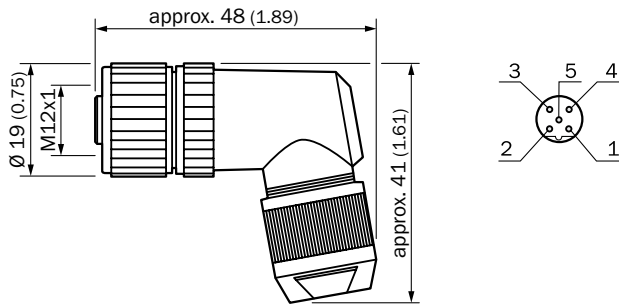
Model name	Part no.	Cable length
DOL-1205-G05MQ	6026006	5 m
DOL-1205-G10MQ	6026008	10 m



All dimensions in mm (inch)

PROFIBUS female connector M12, 5-pin, angled, B-coding

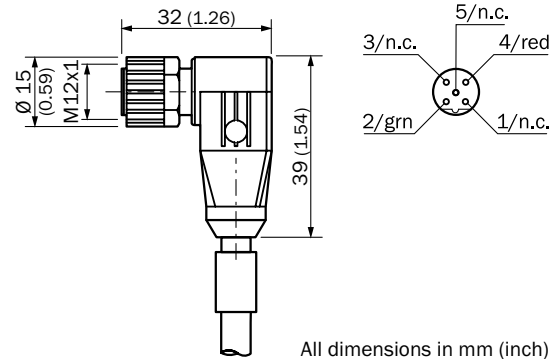
Model name	Part no.
DOS-1205-WQ	6041429



All dimensions in mm (inch)

PROFIBUS female connector M12, 5-pin, angled, pre-wired with bus cable 2-wire, 2 x 0.64 mm², screened, B-coding

Model name	Part no.	Cable length
DOL-1205-W05MQ	6041423	5 m
DOL-1205-W10MQ	6041425	10 m



All dimensions in mm (inch)

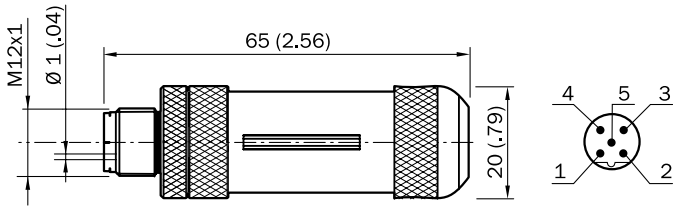
Sales kit connection system angled

Model name	Part no.	Description
DOS-3XM12-W	2058177	A3M60 sales kit consisting of three pieces: Power supply female connector (6007303) PROFIBUS female connector (6041429) PROFIBUS male connector (6041428)

PROFIBUS OUT

PROFIBUS male connector M12, 5-pin, straight, screened, B-coding

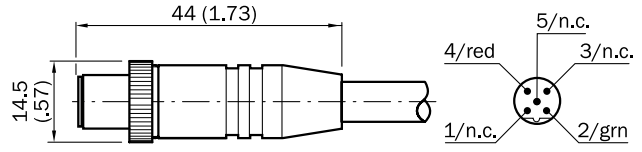
Model name	Part no.
STE-1205-GQ	6021354



All dimensions in mm (inch)

PROFIBUS male connector M12, 5-pin, straight, pre-wired with cable 2-wire, 2 x 0.22 mm², screened, B-coding

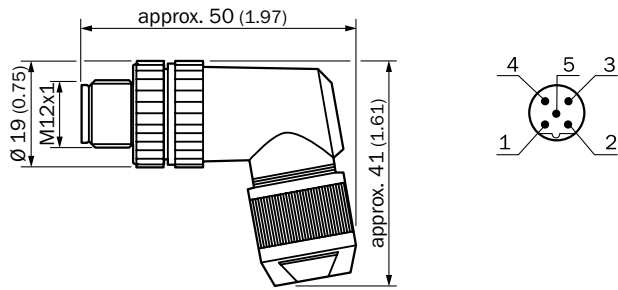
Model name	Part no.	Cable length
STL-1205-G05MQ	6026005	5 m
STL-1205-G10MQ	6026007	10 m



All dimensions in mm (inch)

PROFIBUS male connector M12, 5-pin, angled, B-coding

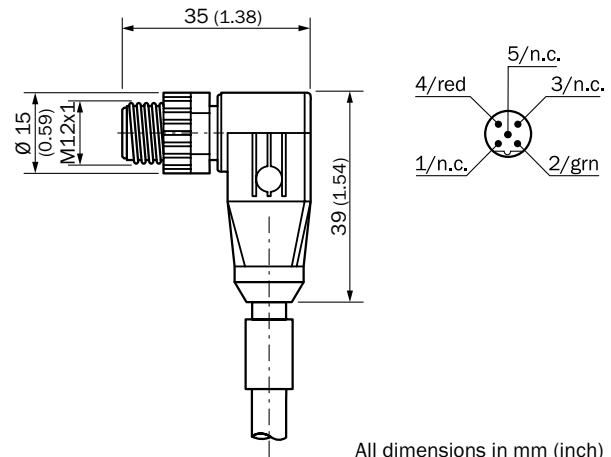
Model name	Part no.
STE-1205-WQ	6041428



All dimensions in mm (inch)

PROFIBUS male connector M12, 5-pin, angled, pre-wired with cable 2-wire, 2 x 0.64 mm², screened, B-coding

Model name	Part no.	Cable length
STL-1205-W05MQ	6041426	5 m
STL-1205-W10MQ	6041427	10 m



All dimensions in mm (inch)

Mounting systems

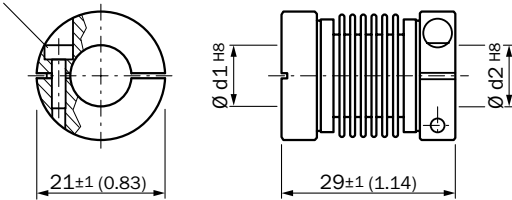
Dimensional drawings and ordering information

Couplings

Bellows coupling, max. shaft offset radial ± 0.3 mm, axial 0.4 mm, angle ± 4 degrees, torsion spring stiffness 120 Nm/rad, bellows of stainless steel, hubs of aluminium

Model name	Part no.	Shaft diameter
KUP-0606-B	5312981	6 mm ... 6 mm
KUP-0610-B	5312982	6 mm ... 10 mm
KUP-1010-B	5312983	10 mm ... 10 mm
KUP-1012-B	5312984	10 mm ... 12 mm

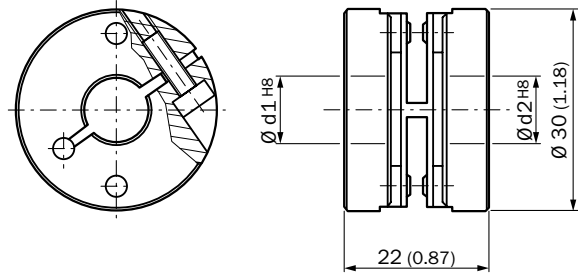
Cheese-head screw
M2.5 x 8, DIN 912 A2



All dimensions in mm (inch)

Spring-disc coupling, max. shaft offset radial ± 0.3 mm, axial 0.4 mm, angle ± 2.5 degrees, torsion spring stiffness 50 Nm/rad, flange of aluminium, spring-discs of glass-fibre-reinforced plastic

Model name	Part no.	Shaft diameter
KUP-0610-F	5312985	6 mm ... 10 mm
KUP-1010-F	5312986	10 mm ... 10 mm

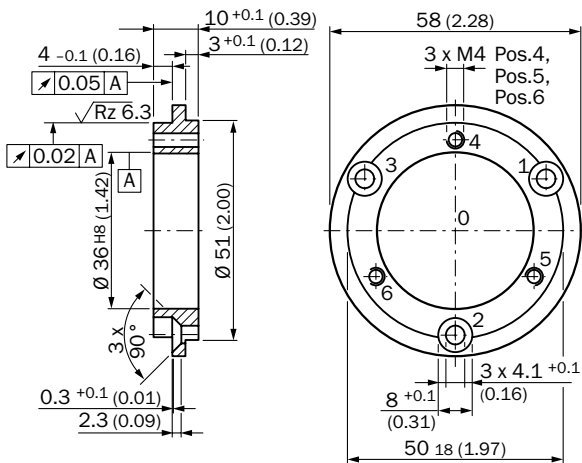


All dimensions in mm (inch)

Mechanical Adapters

Adapter flange of aluminium for face mount flange, spigot 36 mm

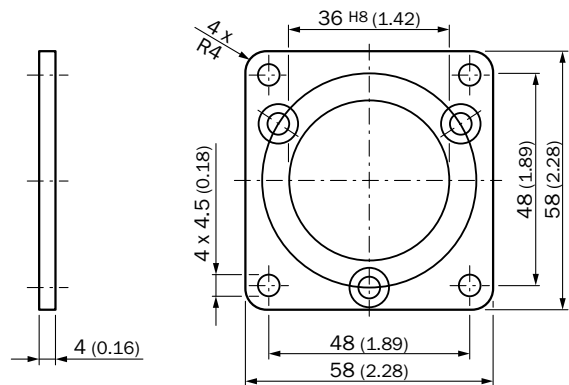
Model name	Part no.	Adaption
BEF-FA-036-050	2029160	To 50 mm servo flange



All dimensions in mm (inch)

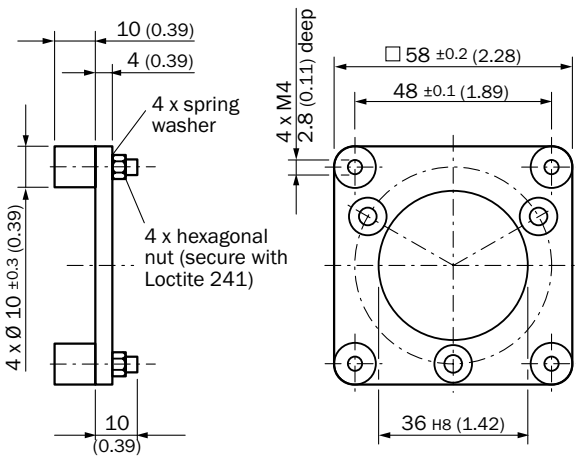
Adapter flange of aluminium for face mount flange, spigot 36 mm

Model name	Part no.	Adaption
BEF-FA-036-060REC	2029162	To 60 mm square mounting plate



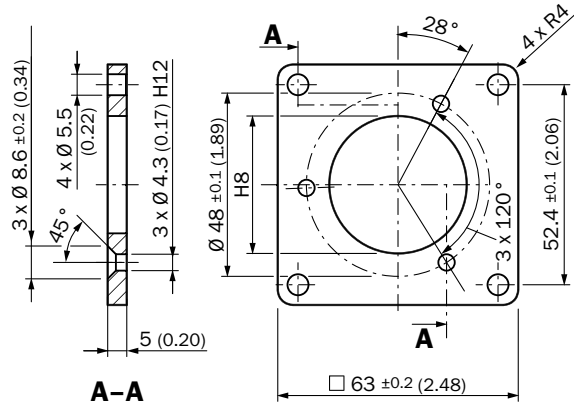
All dimensions in mm (inch)

Adapter flange of aluminium for face mount flange, spigot 36 mm		
Model name	Part no.	Adaption
BEF-FA-036-060RSA	2029163	To 60 mm square mounting plate with shock absorbers



All dimensions in mm (inch)

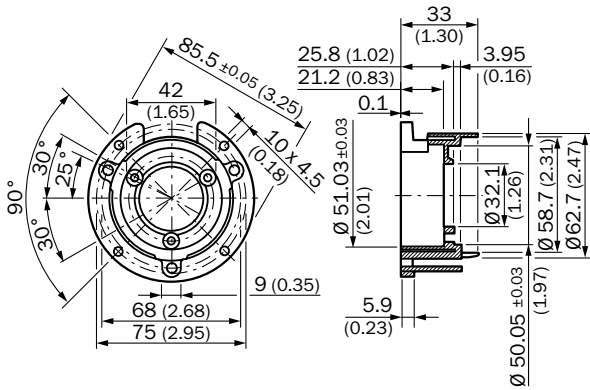
Adapter flange of aluminium for face mount flange, spigot 36 mm		
Model name	Part no.	Adaption
BEF-FA-036-063REC	2034225	To 63 mm square mounting plate



All dimensions in mm (inch)

Mounting bell incl. fixing set for encoder with servo flange

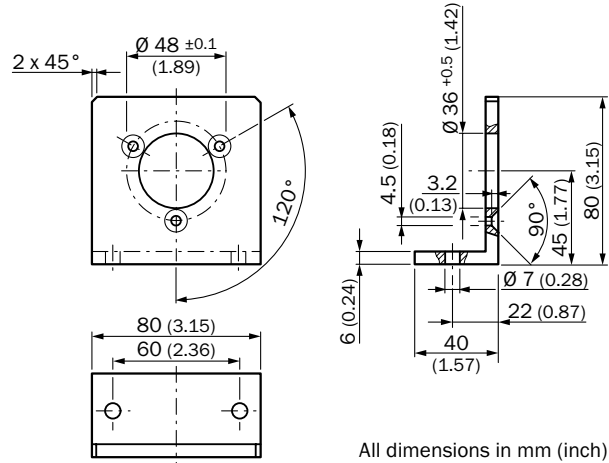
Model name	Part no.	Flange spigot
BEF-MG-50	5312987	Diameter 50 mm



All dimensions in mm (inch)

Mounting angle incl. fixing set for encoder with face mount flange

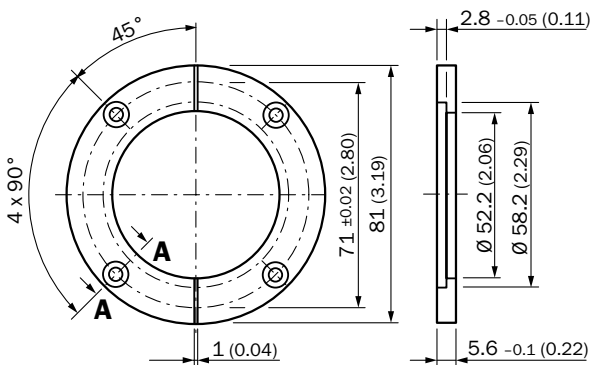
Model name	Part no.	Flange spigot
BEF-WF-36	2029164	Diameter 36 mm



All dimensions in mm (inch)

Servo clamps half ring, Set (comprises 2 pieces) for servo flanges with spigot diameter 50 mm

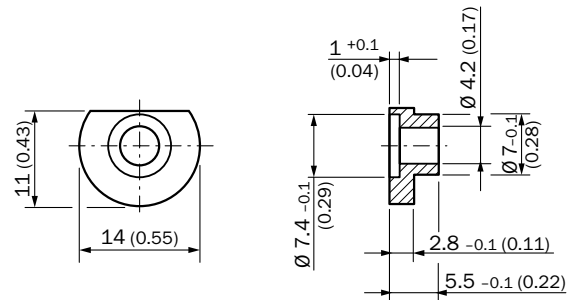
Model name	Part no.
BEF-WG-SF050	2029165



All dimensions in mm (inch)

Servo clamps small, Set (comprises 3 pieces) for servo flanges

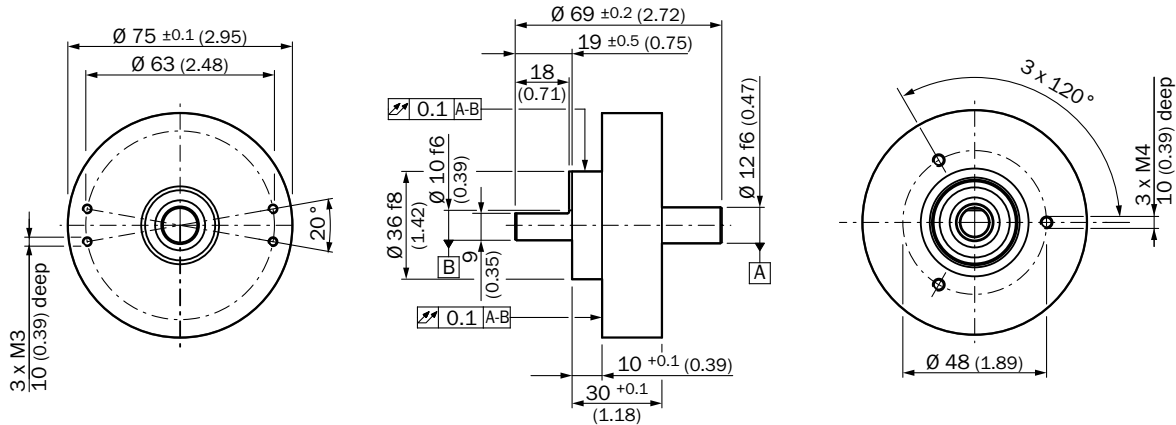
Model name	Part no.
BEF-WK-SF	2029166



All dimensions in mm (inch)

Heavy duty bearing block for very large radial and axial shaft loads

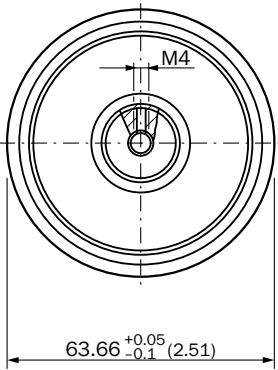
Model name	Part no.
BEF-FA-B12-010	2042728



All dimensions in mm (inch)

Measuring wheel for encoder shafts with diameter 10 mm, type material plastic (Hytrel), wheel material plastic with aluminium hub

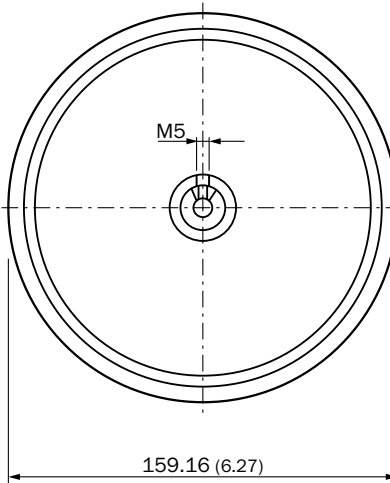
Model name	Part no.	Circumference	Surface
BEF-MR-010020	5312988	0.2 m	Smooth
BEF-MR-010020G	5318678	0.2 m	Knurled



All dimensions in mm (inch)

Measuring wheel for encoder shafts with diameter 10 mm, type material plastic (Hytrel), wheel material plastic with aluminium hub

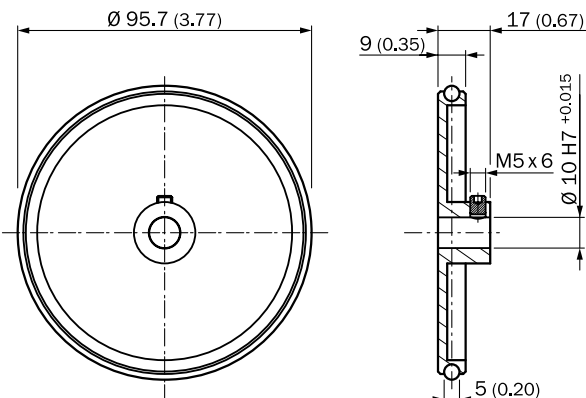
Model name	Part no.	Circumference	Surface
BEF-MR-010050	5312989	0.5 m	Smooth



All dimensions in mm (inch)

Measuring wheel for encoder shafts with diameter 10 mm

Model name	Part no.	Circumference	Surface
BEF-MR-010030	2049278	0.3 m	O-Ring



All dimensions in mm (inch)

Australia

Phone +61 3 9497 4100
1800 334 802 - tollfree
E-Mail sales@sick.com.au

Belgium/Luxembourg

Phone +32 (0)2 466 55 66
E-Mail info@sick.be

Brasil

Phone +55 11 3215-4900
E-Mail sac@sick.com.br

Canada

Phone +1(952) 941-6780
1 800-325-7425 - tollfree
E-Mail info@sickusa.com

Ceská Republika

Phone +420 2 57 91 18 50
E-Mail sick@sick.cz

China

Phone +852-2763 6966
E-Mail ghk@sick.com.hk

Danmark

Phone +45 45 82 64 00
E-Mail sick@sick.dk

Deutschland

Phone +49 211 5301-301
E-Mail kundenservice@sick.de

España

Phone +34 93 480 31 00
E-Mail info@sick.es

France

Phone +33 1 64 62 35 00
E-Mail info@sick.fr

Great Britain

Phone +44 (0)1727 831121
E-Mail info@sick.co.uk

India

Phone +91-22-4033 8333
E-Mail info@sick-india.com

Israel

Phone +972-4-999-0590
E-Mail info@sick-sensors.com

Italia

Phone +39 02 27 43 41
E-Mail info@sick.it

Japan

Phone +81 (0)3 3358 1341
E-Mail support@sick.jp

Magyarország

Phone +36 1 371 2680
E-Mail office@sick.hu

Nederlands

Phone +31 (0)30 229 25 44
E-Mail info@sick.nl

Norge

Phone +47 67 81 50 00
E-Mail austefjord@sick.nl

Österreich

Phone +43 (0)22 36 62 28 8-0
E-Mail office@sick.at

Polska

Phone +48 22 837 40 50
E-Mail info@sick.pl

România

Phone +40 356 171 120
E-Mail office@sick.ro

Russia

Phone +7 495 775 05 30
E-Mail info@sick.ru

Schweiz

Phone +41 41 619 29 39
E-Mail contact@sick.ch

Singapore

Phone +65 6744 3732
E-Mail admin@sicksgp.com.sg

Slovenija

Phone +386 (0)1-47 69 990
E-Mail office@sick.si

South Africa

Phone +27 11 472 3733
E-Mail info@sickautomation.co.za

South Korea

Phone +82-2 786 6321/4
E-Mail info@sickkorea.net

Suomi

Phone +358-9-25 15 800
E-Mail sick@sick.fi

Sverige

Phone +46 10 110 10 00
E-Mail info@sick.se

Taiwan

Phone +886 2 2375-6288
E-Mail sales@sick.com.tw

Türkiye

Phone +90 216 528 50 00
E-Mail info@sick.com.tr

United Arab Emirates

Phone +971 4 8865 878
E-Mail info@sick.ae

USA/México

Phone +1(952) 941-6780
1 800-325-7425 - tollfree
E-Mail info@sickusa.com

More representatives and agencies
at www.sick.com