

Preset counter electronic Position display with analogue output



Position- and Difference Preset Counter Type 572

 24/17... 30 V	 DIN 96 x 48	 High IP value	 max. 1 MHz	 Operation with gloves	 1 1 2 3 4	 6/8 LEDs	 5/24V	 mA, V	 4	 RS232
Supply voltage AC/DC	DIN front panel	High IP value	2 Inputs	Operation with gloves	TTL, HTL and RS422-Input	6/8 LEDs	2 x Sensor supply	Output	Transistor-Output	Interface

Innovative:

- 2 separate freely scalable count inputs - HTL or TTL; Both also with inverted inputs, max. input frequency 1 MHz/ channel
- Very bright LED display 15 mm high (6 digit) and 10 mm high (8 digit)
- 4 freely programmable fast solid-state outputs, each with 350 mA output current
- Step or tracking preset
- Simple programming – with function codes, dependent on the operating mode selected
- With 8 different permanent count functions, such as simple count, difference count and total count of both inputs, batch counters etc.



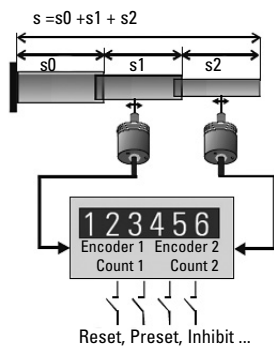
Compact:

- Up to 3 display values in a single device, Display Counter 1, Display Counter 2 as well as the display calculated from Counter 1 and 2
- AC and DC supply voltages in one device
- Simple programming with 4 keys, all keys can be assigned dual programming functions.

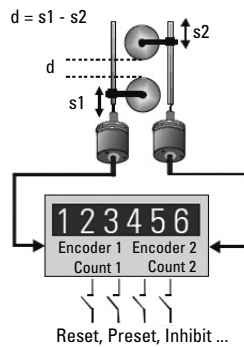
Versatile:

- Can be used as a counter or position display with limit values
- Monitoring function, where 2 values are monitored or calculated with respect to each other
- 4 fast programmable inputs with various functions such as reset, gate, display memory, reference input or switching between the display values.
- Scalable analogue output 0/4 ... 20 mA, +/-10 V or 0 ... 10 V
- 2 auxiliary power supplies for sensors: 5.2 V DC and 24 V DC
- Standard interface RS 232
 - for parameter setting
 - for reading out the values to a PC or PLC
 - for modifications during operation

Application examples:



Total-Position display

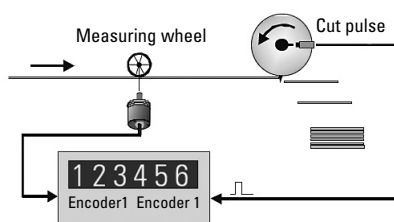


Difference-Position display

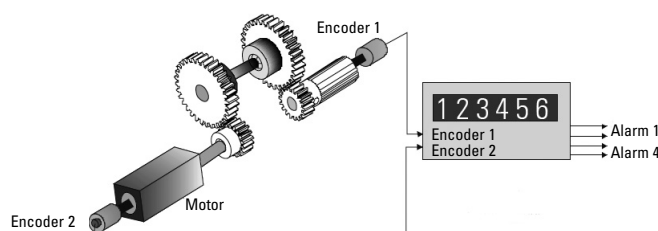
Counter series for demanding applications, with two individually scalable encoder inputs, in each case A, \bar{A} , B, \bar{B} for count frequencies up to 1 MHz per channel. Operating modes can be selected for position or event counter, total counter, difference counter, cut-to-length display, diameter calculator and more.



Counter mounting fixture for DIN cut-out 92x45xmm Order code G 300005



Measurement of the effective cut amount



Monitoring of torsion, shafts or gear breakage

Preset counter electronic Position display with analogue output



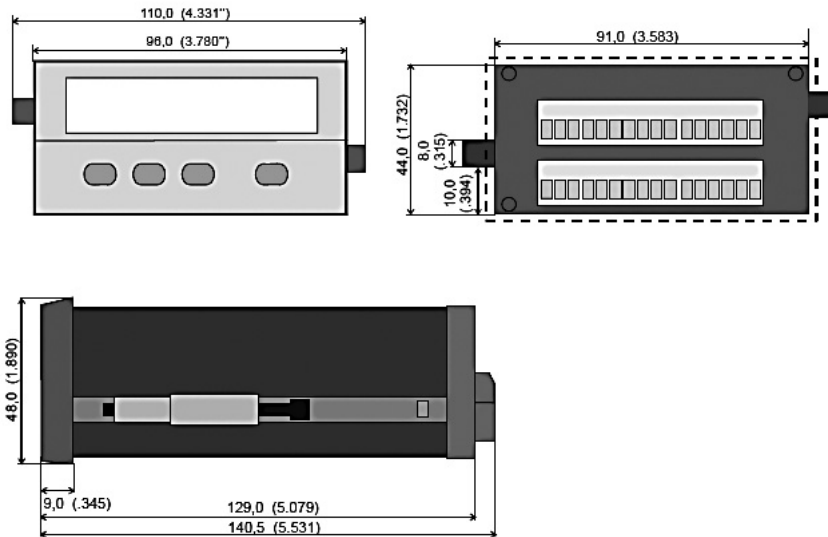
Position- and Difference Preset Counter Type 572

Supply voltage:-	24 V AC, $\pm 10\%$ 24 (17 ... 30) V DC
Current consumption [DC]:	100 mA + Current consumption encoder
Connected load [AC]:	15 VA
Auxiliary power supply output for sensors:	2 x 5,2 V DC, each 150 mA 2 x 24 V DC, each 120 mA
Display:	15 mm high LED-Display, 6 digit 10 mm high LED-Display, 8 digit
Inputs:	2 universal incremental encoder inputs
Count frequency:	RS422 and TTL with inv. 1 MHz HTL asymmetric 200 kHz TTL asymmetric 200 kHz (per encoder)
Control inputs:	4 control inputs HTL, Ri = 3,3kOhm Low < 2,5 V, High > 10V, min. pulse duration 50 μ s

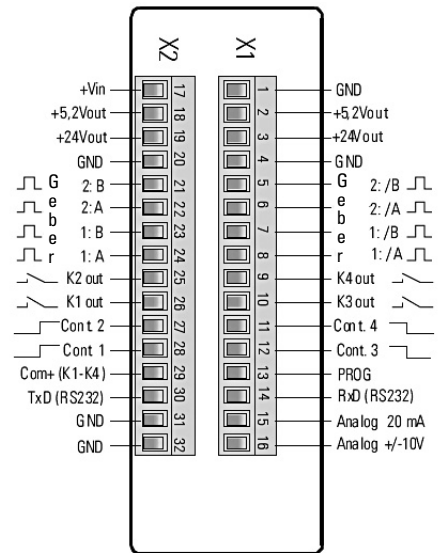
Switch outputs:	4 fast power transistors 5 ... 30 V DC 350 mA, reaction time < 1ms*, inductive loads require a freewheeling diode
Serial interface:	RS232, 2400 ... 38400 Baud
Analogue outputs:	0/4 ... 20 mA, load max. 270 Ohm 0 ... ± 10 V (max. 2 mA) Resolution 14 Bit, precision 0,1 % reaction time < 1 ms
Ambient temperature:	0 ... 45 °C [32 ... 113 °F]
Storage temperature:	-25 ... +70 °C [-13 ... 158 °F]
Housing:	Noryl UL94-V-0
Protection class:	IP65 (front side)
Screw terminals:	Cable cross-section max. 1,5 mm ²
Conformity and norms:	EMV 89/336/EWG: EN 61 000-6-2 EN 61 000-6-3 NS73/23/EWG EN 61010-1
Weight:	approx. 250 g

*Intensive serial communication can temporarily prolong the reaction time

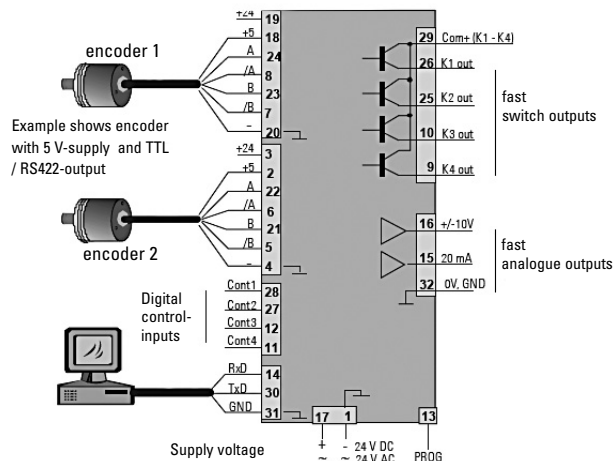
Dimensions:



Electrical connections:



Connection examples:



Order code specifications

Position display, 6 digits, with 4 fast switch outputs and serial interface: 6.572.0116.D05

Position display, 6 digits, with 4 fast switch outputs and serial interface and scalable analogue outputs: 6.572.0116.D95

Position display, 8 digits, with 4 fast switch outputs and serial interface: 6.572.0118.D05

Position display, 8 digits, with 4 fast switch outputs and serial interface and scalable analogue output: 6.572.0118.D95

Delivery contents:

- Controller 572
- Gasket, fastening set
- Instruction manual German/English